

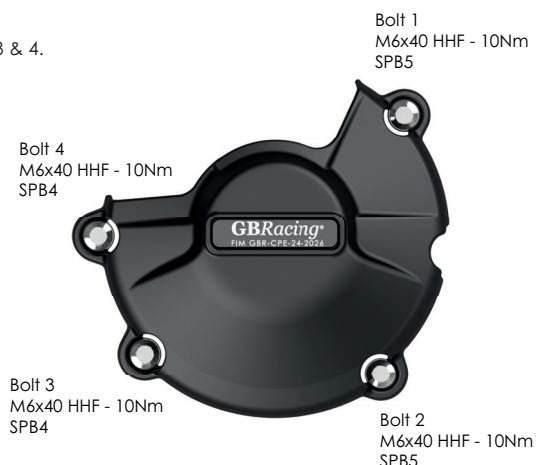
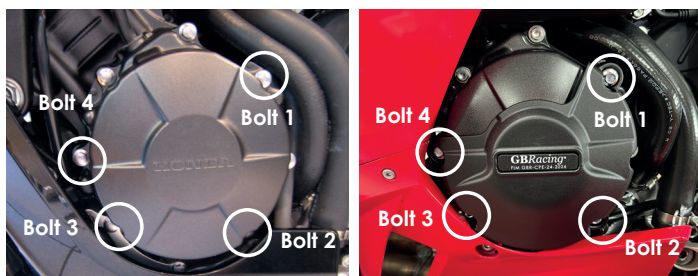
THIS SHEET INCLUDES FITTING INSTRUCTIONS FOR THE FOLLOWING PARTS:

Secondary Alternator Cover Part No. EC-CBR600RR-2024-1-GBR / Secondary Clutch Cover Part No. EC-CBR600RR-2024-2-GBR

Secondary Pulse/Timing Cover Part No. EC-CBR600RR-2024-3-GBR

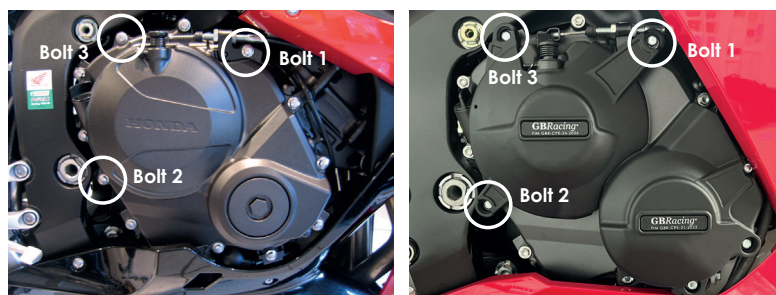
SECONDARY ALTERNATOR COVER
PART NO. EC-CBR600RR-2024-1-GBR

- 1 Remove 4 existing bolts from the stock Alternator cover, shown as position Bolt 1,2,3 & 4.
- 2 Place the Secondary Alternator Cover over the stock cover.
- 3 Assemble 4 replacement bolts loosely in the correct position as shown.
- 4 Tighten bolts to a Torque of 10Nm as per Manufacturer's recommendations.
DO NOT OVERTIGHTEN.



SECONDARY CLUTCH COVER
PART NO. EC-CBR600RR-2024-2-GBR

- 1 Remove 3 existing bolts from the stock Clutch cover, shown as position Bolt 1, 2 & 3.
- 2 Place the Secondary Clutch Cover over the stock cover.
- 3 Assemble 3 replacement bolts loosely in the correct position as shown.
- 4 Tighten bolts to a Torque of 10Nm as per Manufacturer's recommendations.
DO NOT OVERTIGHTEN.



SECONDARY PULSE/TIMING COVER
PART NO. EC-CBR600RR-2024-3-GBR

- 1 Remove fairing.
- 2 Remove 4 existing bolts from the stock Pulse cover, shown as position Bolt 1, 2, 3 & 4.
- 3 Place the Secondary Clutch Cover over the stock cover.
- 4 Assemble 4 replacement bolts loosely in the correct position as shown.
- 5 Tighten bolts to a Torque of 10Nm as per Manufacturer's recommendations.
DO NOT OVERTIGHTEN.
- 6 Re-fit fairing.

